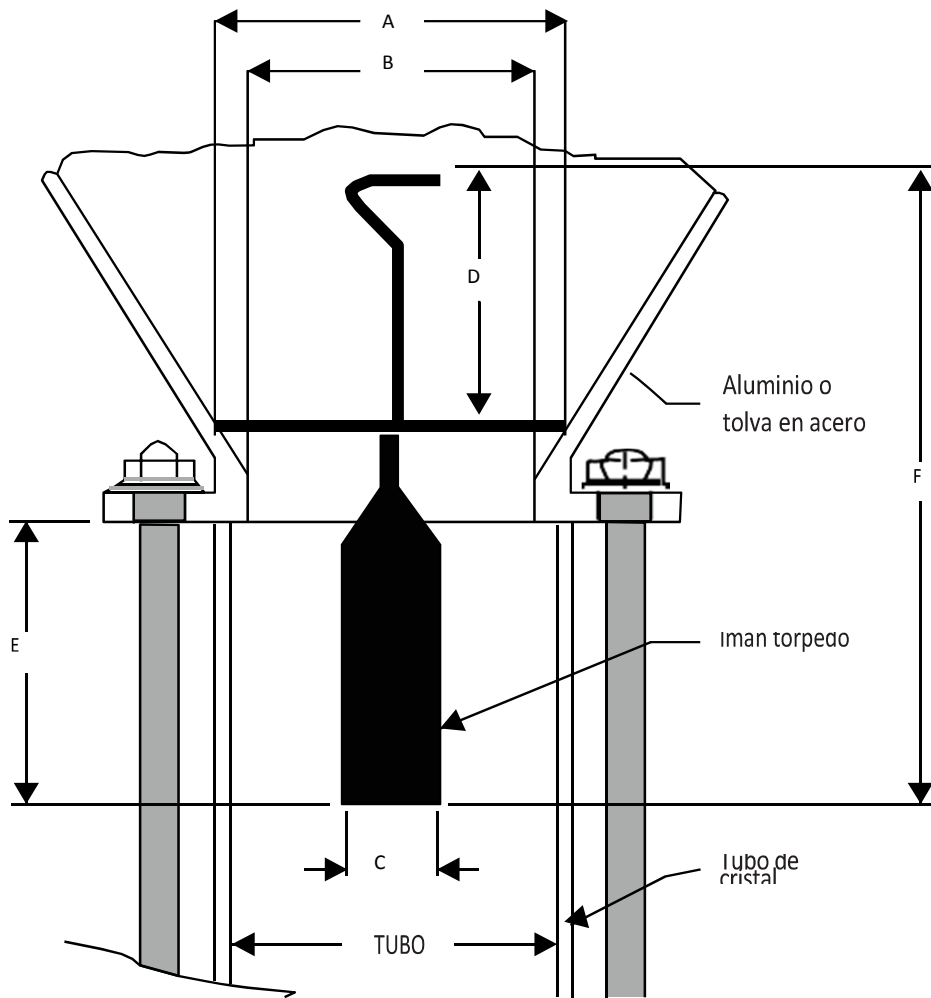


MEDIDAS IMAN TORPEDO



Réf. Ref.	A	B	C	D	E	F
21-00079	2 $\frac{1}{2}$ "	1 $\frac{7}{8}$ "	$\frac{5}{8}$	1 $\frac{7}{8}$ "	2 $\frac{3}{8}$ "	4 $\frac{3}{4}$ "
21-00080	2 $\frac{1}{2}$ "	2	1	1 $\frac{7}{8}$ "	3 $\frac{11}{16}$ "	6 $\frac{1}{4}$ "
21-00032	1 $\frac{3}{4}$ "	1 $\frac{5}{8}$ "	$\frac{5}{8}$	1 $\frac{7}{8}$ "	2 $\frac{3}{8}$ "	4 $\frac{3}{4}$ "
21-00034	1 $\frac{3}{4}$ "	1 $\frac{5}{8}$ "	1	1 $\frac{7}{8}$ "	3 $\frac{11}{16}$ "	6 $\frac{1}{4}$ "